

M50BD\_F

STUDIO TECHNOLOGIES, INC.		
MODEL 50 CENTRAL CONTROLLER BLOCK DIAGRAM		
DRAWING NO.	DATE	PAGE
30323	06/05/02	01 of 02

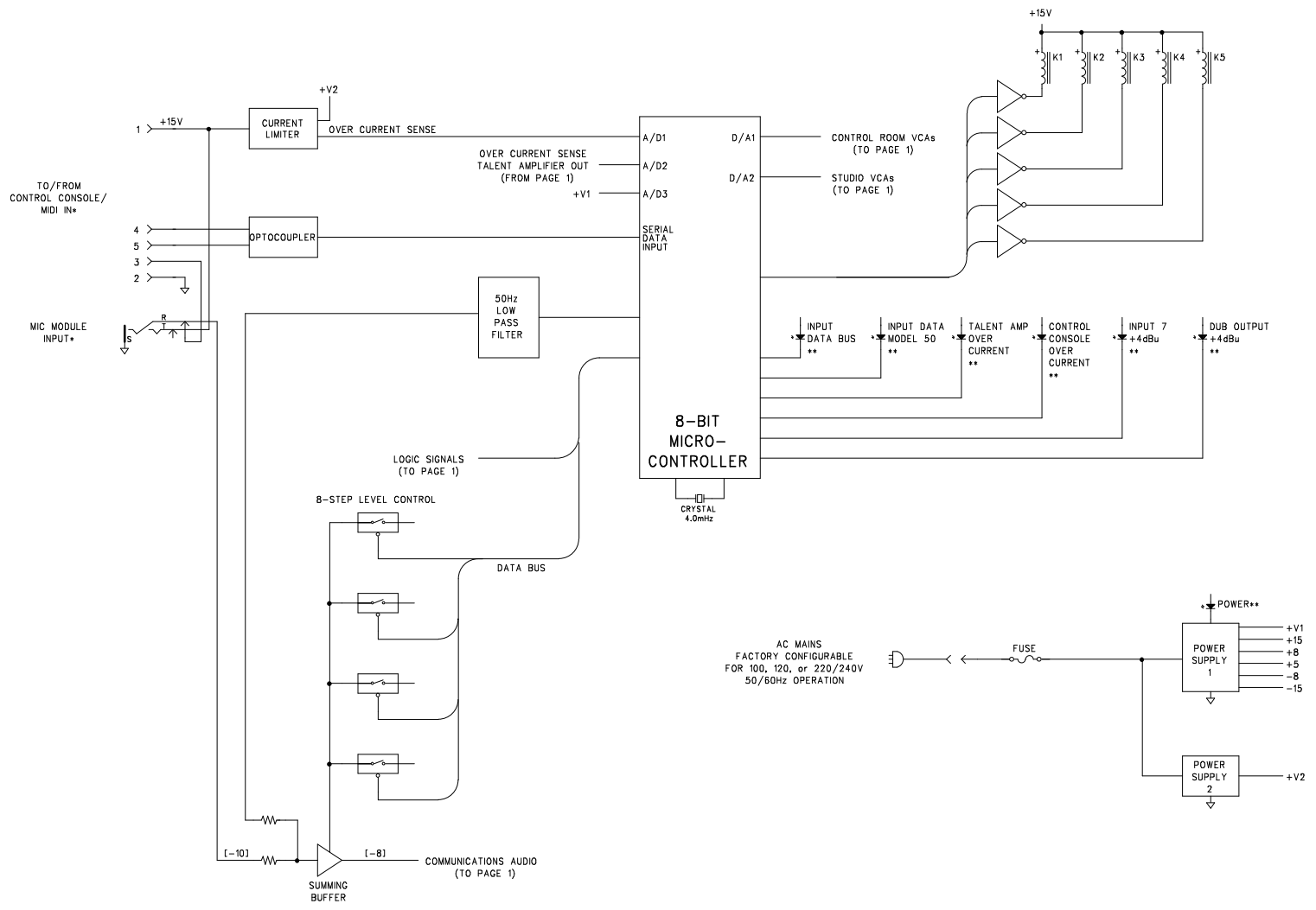
FOR SERIAL NUMBERS 00385 AND LATER

\* LOCATED ON BACK PANEL  
 \*\* LOCATED ON FRONT PANEL  
 \*\*\* W/LEVEL CONTROL AT MAXIMUM  
 (NOMINAL LEVEL IN dBu)

LOGIC SIGNALS  
(FROM PAGE 2)

OVER CURRENT SENSE  
TO A/D INPUT  
(TO PAGE 2)

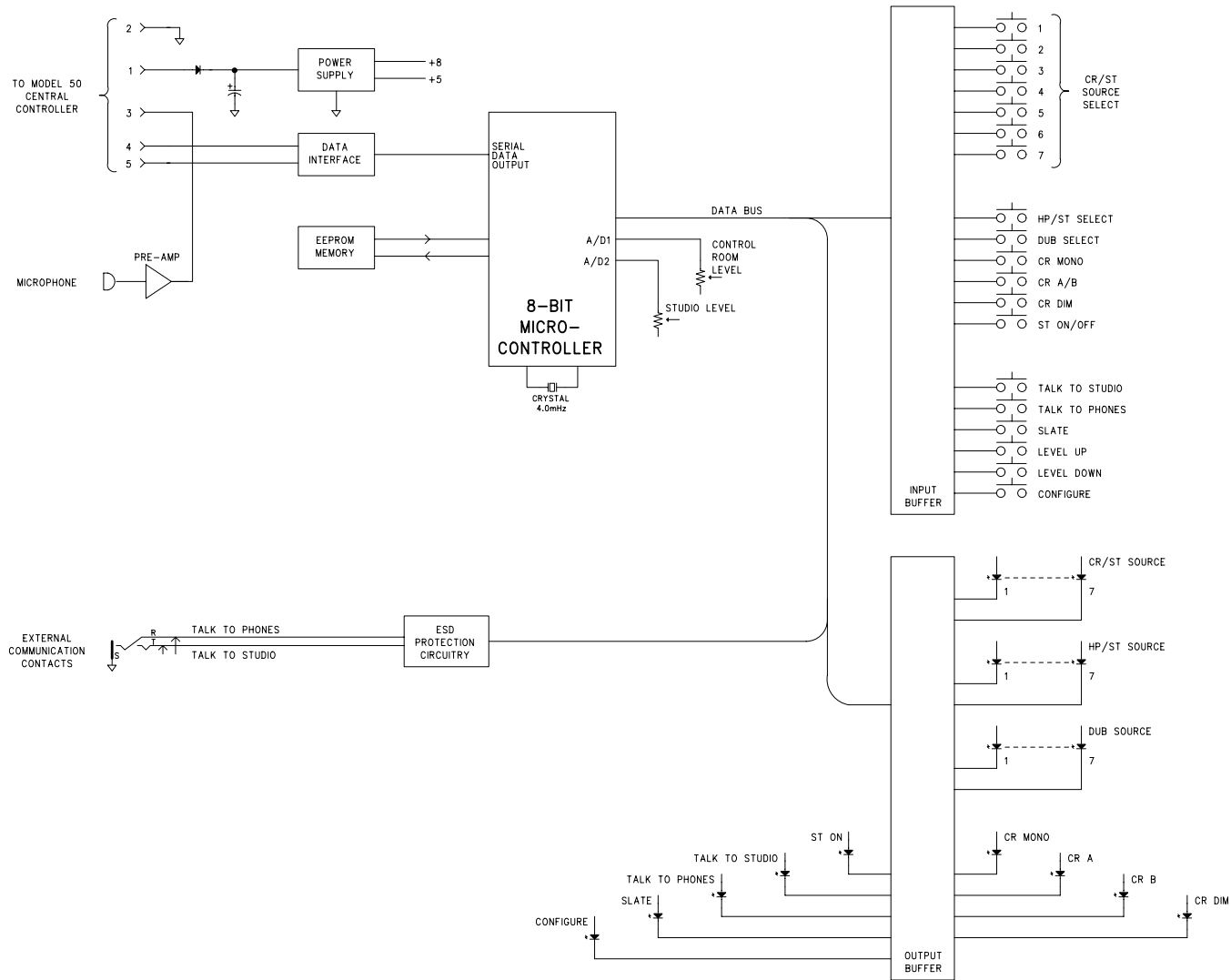
LOGIC AND  
CONTROL SIGNALS  
(FROM PAGE 2)



FOR SERIAL NUMBERS 00385 AND LATER

\* LOCATED ON BACK PANEL  
 \*\* LOCATED ON FRONT PANEL  
 [NOMINAL LEVEL IN dBu]

STUDIO TECHNOLOGIES, INC.		
MODEL 50 CENTRAL CONTROLLER BLOCK DIAGRAM		
DRAWING NO.	DATE	PAGE
30323	06/05/02	02 of 02



M51BD\_A1

STUDIO TECHNOLOGIES, INC.		
MODEL 51 CONTROL CONSOLE BLOCK DIAGRAM		
DRAWING NO. 30329	DATE 12/29/94	PAGE 01 OF 01